

Concealed wall-mounted single-lever mixer -

35 860 970 90



- 2x female thread 1/2" connections
- 1x female thread 1/2" outlet for wall spout
- 1x female thread 1/2" outlet
- 2x dust cover
- anti-water packing
- soundproofing
- gauge 100 mm

Recommended miscellaneous



Extension 20 mm - 12 869 970 90
 •Not suitable for combining with
 META PURE (36 86X 664-FF).

Recommended miscellaneous



Extension 20 mm - 12 870 970 90
 •Can only be combined with
 exposed trim parts 36 86X 664-FF.

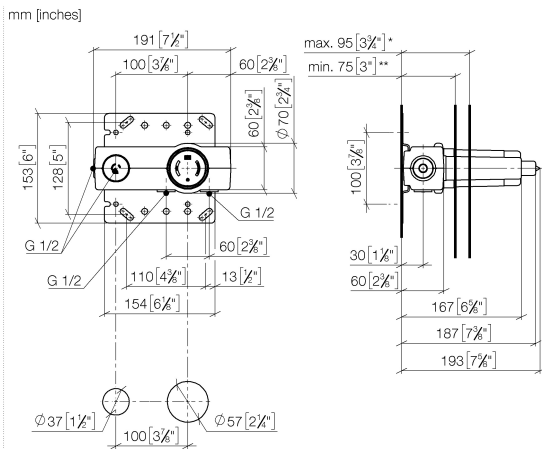
Recommended miscellaneous



**Adapter for reversed water
 connections -** 12 880 970 90
 •Not suitable for combining with
 META PURE (36 86X 664-FF).

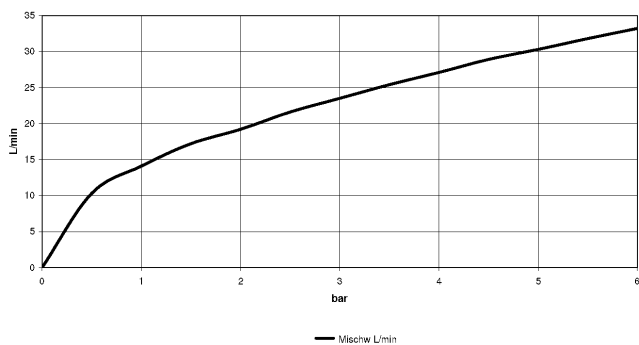
Concealed wall-mounted single-lever mixer -

35 860 970 90



	**min	*max
+ 1286997090	95 [3 3/4"]	115 [4 1/2"]
+ 1287097090	95 [3 3/4"]	115 [4 1/2"]

Flow rate chart



Certificates

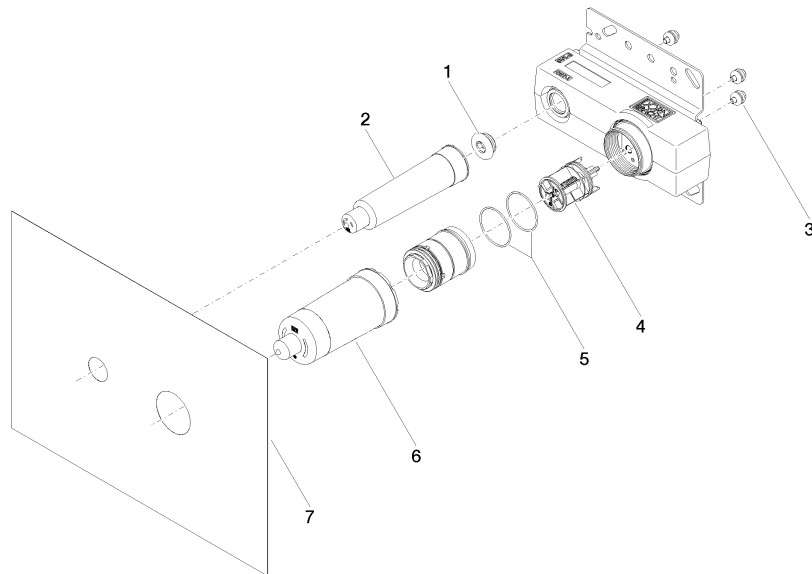
WRAS_2010064.

ACS_21 ACC LY 141. DVGW_DW-
6512DN0435.

WRAS_2107018.

Concealed wall-mounted single-lever mixer -

35 860 970 90



Spare parts list

No.	Item Number	Name	Quantity used	Delivery time
1	04 31 20 006 00 90	plug	1	2
2	09 21 02 173 90	cap	1	2
3	90 23 01 091 00 90	set	3	2
4	90 31 20 107 00 90	plug	1	2
5	09 14 10 190 90	seal	2	2
6	09 21 02 176 90	cap	1	60
7	04 14 03 074 01 90	gasket kit	1	2